

Submersible helical rotor pump-set EVGU

Application

Submersible pump-set EVGU is intended for pumping potable and service water up to temperature 20 °C and acidity values ranging from 6.5 to 12 pH.

In practice that pump-set of the EVGU Series may be used namely for pumping from deep wells with their depths more than 8 m.

Small dimensions of the pump-set make its installation into bore holes possible. Besides standard installation in its basic vertical position that pump-set may work also in horizontal position in the case of low water level in a water supply, provided that a filling plug is in its upper position and motor winding has been primed fully with clean water.

That pump-set is suitable for instalment of water piping in one-family houses, weekend houses, summer residences, kindergartens, nurseries or community institutions, plants and out-buildings, for both water supply and spraying and/or irrigation of gardens, decorative parks, sports grounds, and so on.

Construction

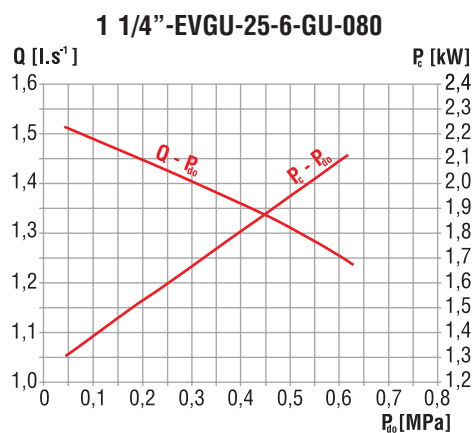
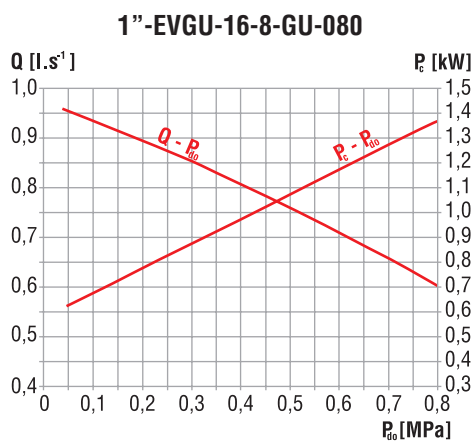
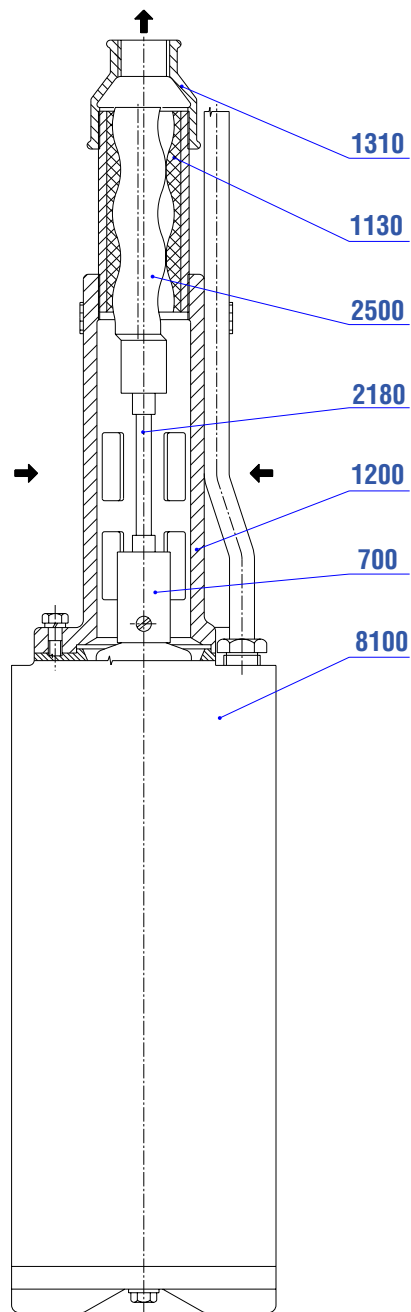
Pump-set EVGU consists of a submersible electric motor and a helical-rotor pump of very simple design, with minimal number of parts. As the pump main part there is the stator with rubber liner in form of double knuckle thread, in cavity of which there a single thread rotates.

Material options

Pump main parts are produced of following constructional materials:

- | | |
|------------------|------------------------------------|
| Suction casing | - grey cast iron |
| Discharge casing | - malleable cast iron |
| Helix | - stainless steel and carbon steel |
| Connection rod | - stainless steel |
| Coupling | - carbon steel |
| Stator | - steel and rubber |

Informatory cross section through pump



Numbering of positions according to „EUROPUMP TERMINOLOGY 1982“

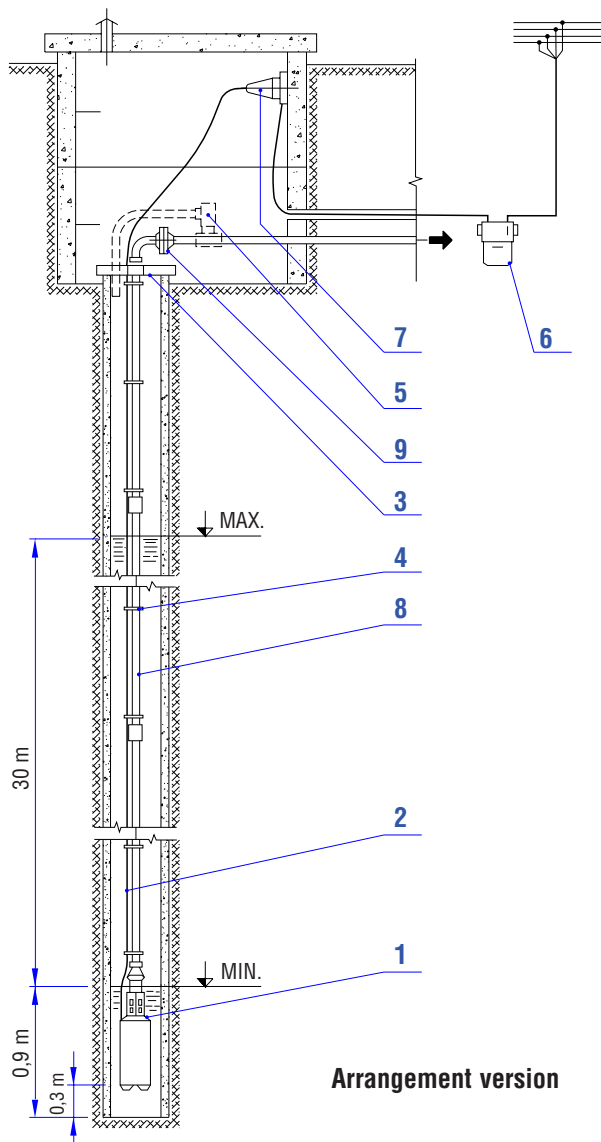
- | | | | |
|------|------------------|------|----------------|
| 700 | Coupling | 2180 | Connection rod |
| 1130 | Stator | 2500 | Helix |
| 1200 | Suction casing | 8100 | Electric motor |
| 1310 | Discharge casing | | |

Submersible helical rotor pump-set EVGU

Performance data

Pump-set		1"-EVGU-16-8-GU-080	1 1/4"-EVGU-25-6-GU-080
Pump			
Max. delivery pressure $p_{perm.}$ (Delivery head $H_{max.}$)	MPa	0,8	0,6
Capacity Q	m	80	60
Discharge connection dia.	l.s ⁻¹	0,6	1,25
		G 1"	G 1 1/4"
Electric motor - type		1-P60-112-01	3-P62-22-01
Rated power	kW	1,1	2,2
Speed	min ⁻¹	2830	2820
Voltage	V	400	400
Frequency	Hz	50	50
Motor current	A	3,4	6,1
Connecting cable		4 x 1,5	4 x 1,5
Cable length (on request)	m	25; 35; 50	25; 35; 50
Pump-set outside diameter	mm	142	142
Pump-set height	mm	680	748
Min. diameter of bore hole (well)	mm	150	150
Pump-set max. submersion under water level	m	30	30
Pump-set weight incl. of 1m cable	kg	21	32

Arrangement version



- 1 Pump-set
- 2 Cable line in well
(25 m, 35 m, 50 m on request)
- 3 Load-bearing clip
- 4 Cable clamp for piping
- 5 Relief valve
- 6 Circuit breaker
- 7 Socket with plug
- 8 Delivery piping
- 9 Flange

Positions 2, 3, 4 are delivered together with the pump-set as standard accessories.

Arrangement version

THAT PRODUCT IS FRIENDLY TO THE ENVIRONMENT